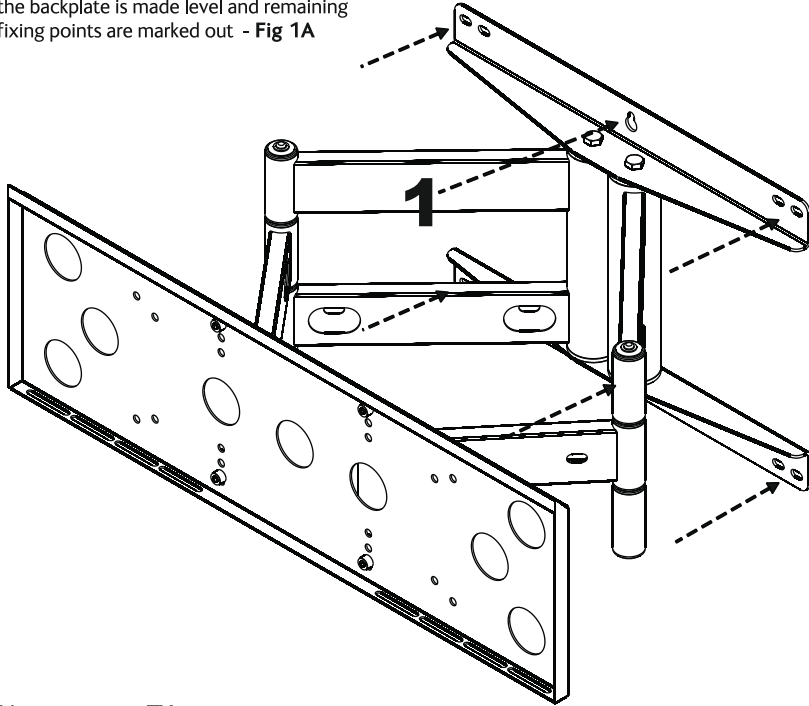


- Read these instructions carefully before assembling this equipment.
- Check the equipment has been supplied with all parts and fixtures prior to assembly.
- Assemble in a suitable location.
- Do not attempt to alter or modify any part of the equipment or its attachments.
- Do not use if any parts are broken or appear to be damaged.
- Only use fixings provided with this product and use appropriately sized tools to securely tighten them.
- Do not position the equipment close to sources of heat or moisture.

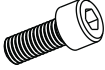
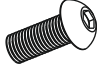






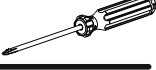


1 Mount back plate to wall

1A - Use fixing point 1 in the centre of the backplate to hold the backplate on the wall whilst the backplate is made level and remaining fixing points are marked out - Fig 1A



TV Fixing Kit

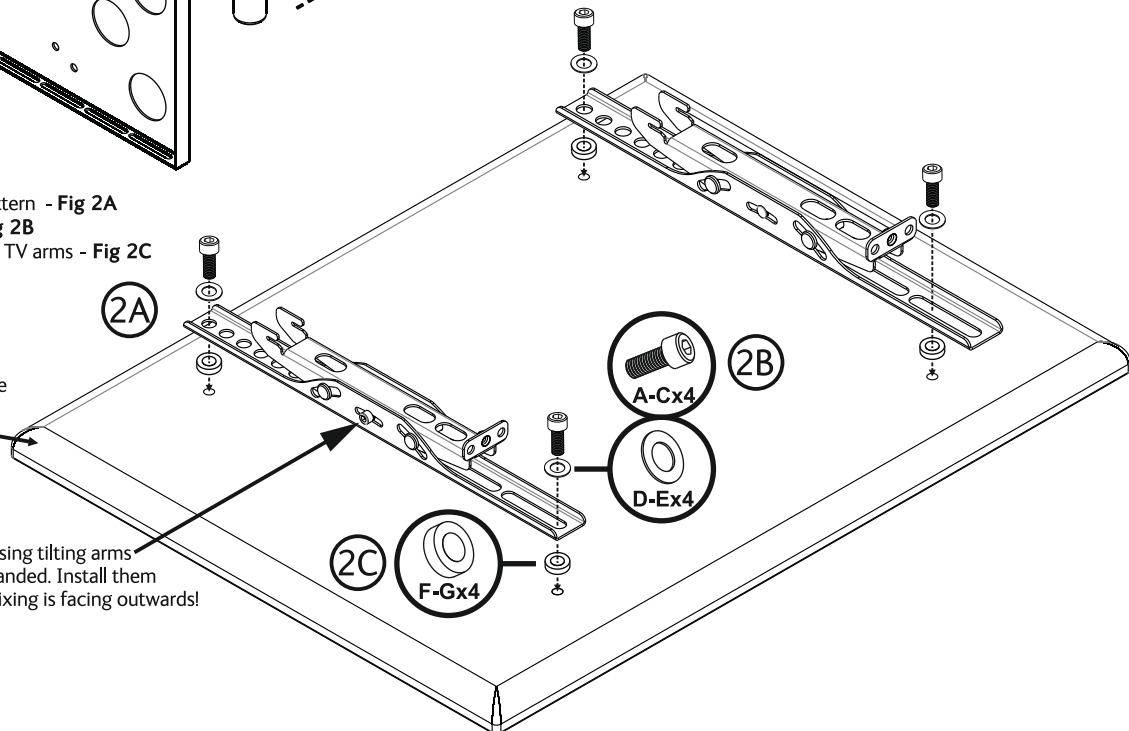
	A - M6 x 15mm	X4		B - M8 x 16mm	X4
				C - M8 x 25mm	X4
	D - M6 washer	X4		F - M8 x 6mm	X4
	E - M8 washer			G - M8 x 12.5mm	
	H - M6 x 15mm	X2	Also required		

2 Mount arms to TV

2A - Position arms over the screens VESA pattern - Fig 2A
 2B - Insert suitable fixings with washers - Fig 2B
 2C - If required, use spacers between TV and TV arms - Fig 2C

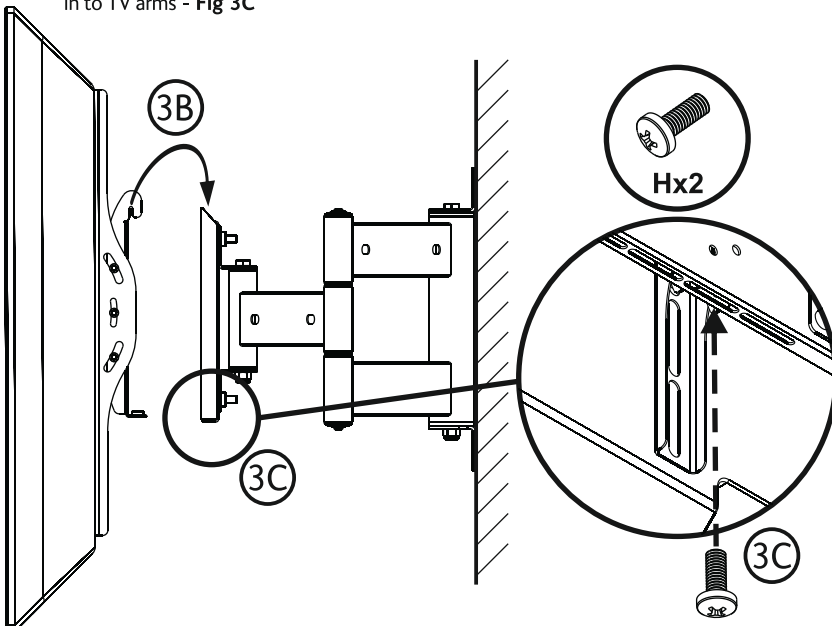
Note: To mount the screen in portrait simply rotate the screen 90° and secure the arms vertically.

Note: When using tilting arms the arms are handed. Install them so the centre fixing is facing outwards!



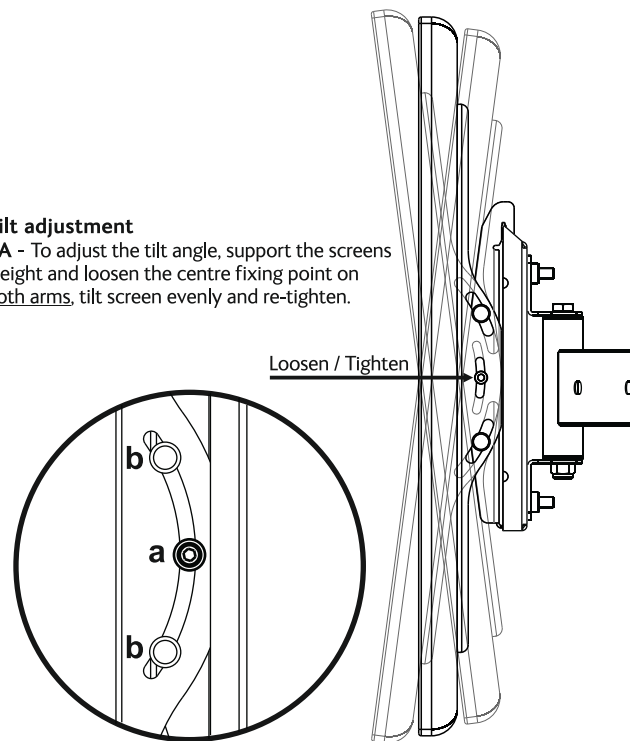
3 Hang TV on to backplate

3A - Two persons should lift screen safely towards the backplate.
 3B - Hook both arms over on to the backplate - Fig 3B
 3C - After the TV is in place insert safety screws through the backplate's underside in to TV arms - Fig 3C

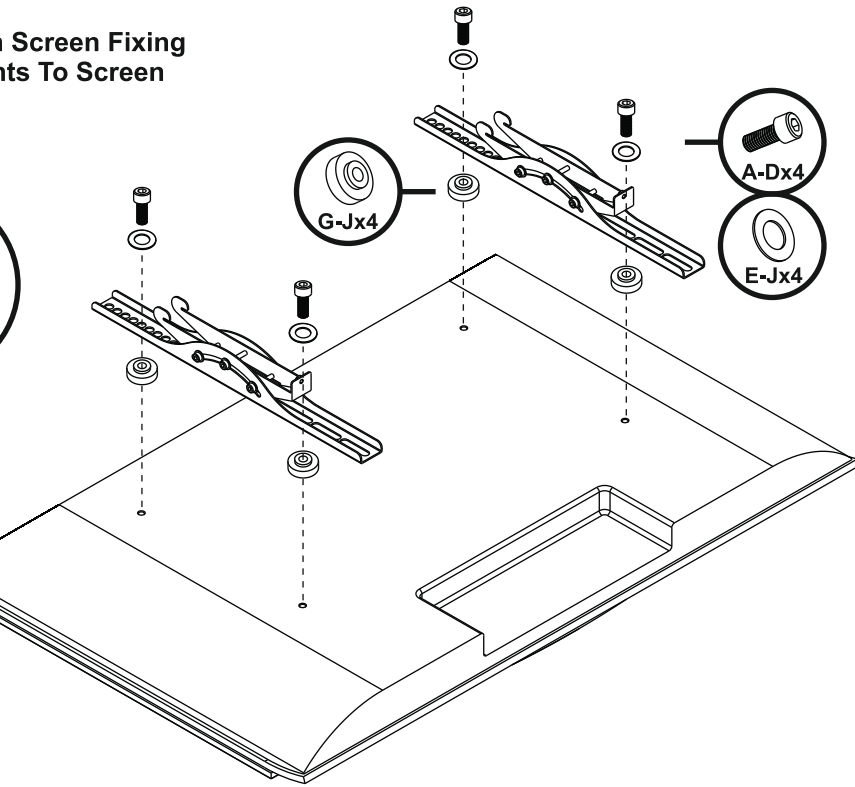


4 Tilt adjustment

4A - To adjust the tilt angle, support the screens weight and loosen the centre fixing point on both arms, tilt screen evenly and re-tighten.

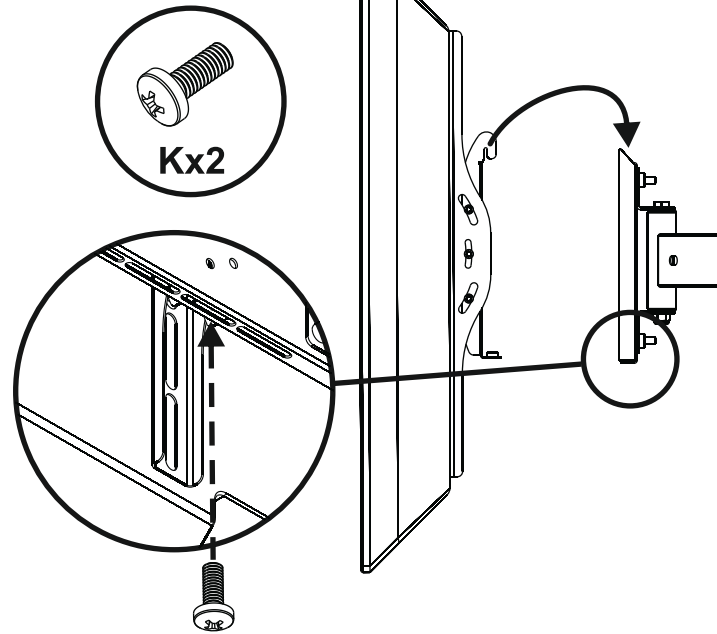


Screen Fixing
Parts To Screen



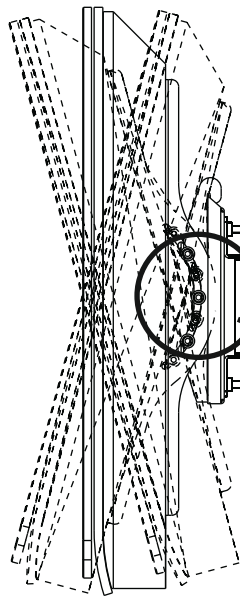
3

Hang Screen On
TV Mounting Plate



4

Adjusting Tilt



To adjust tilt, loosen tilt locking bolt (a) on both arms, position the screen and then re-tighten both bolts.

NOTE: Do not completely remove the tilt locking bolts or attempt to remove the tilt slider pins (b).

