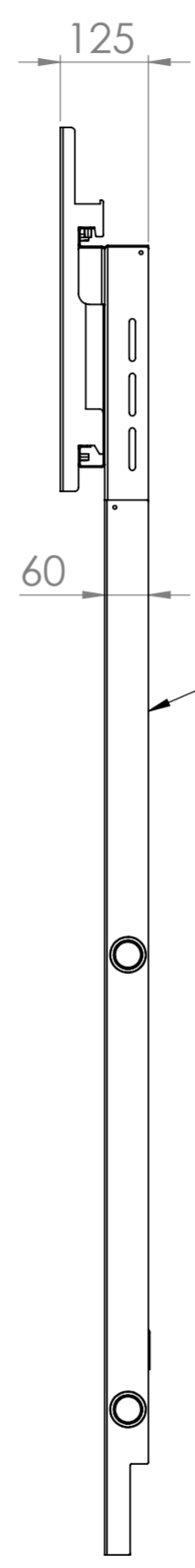
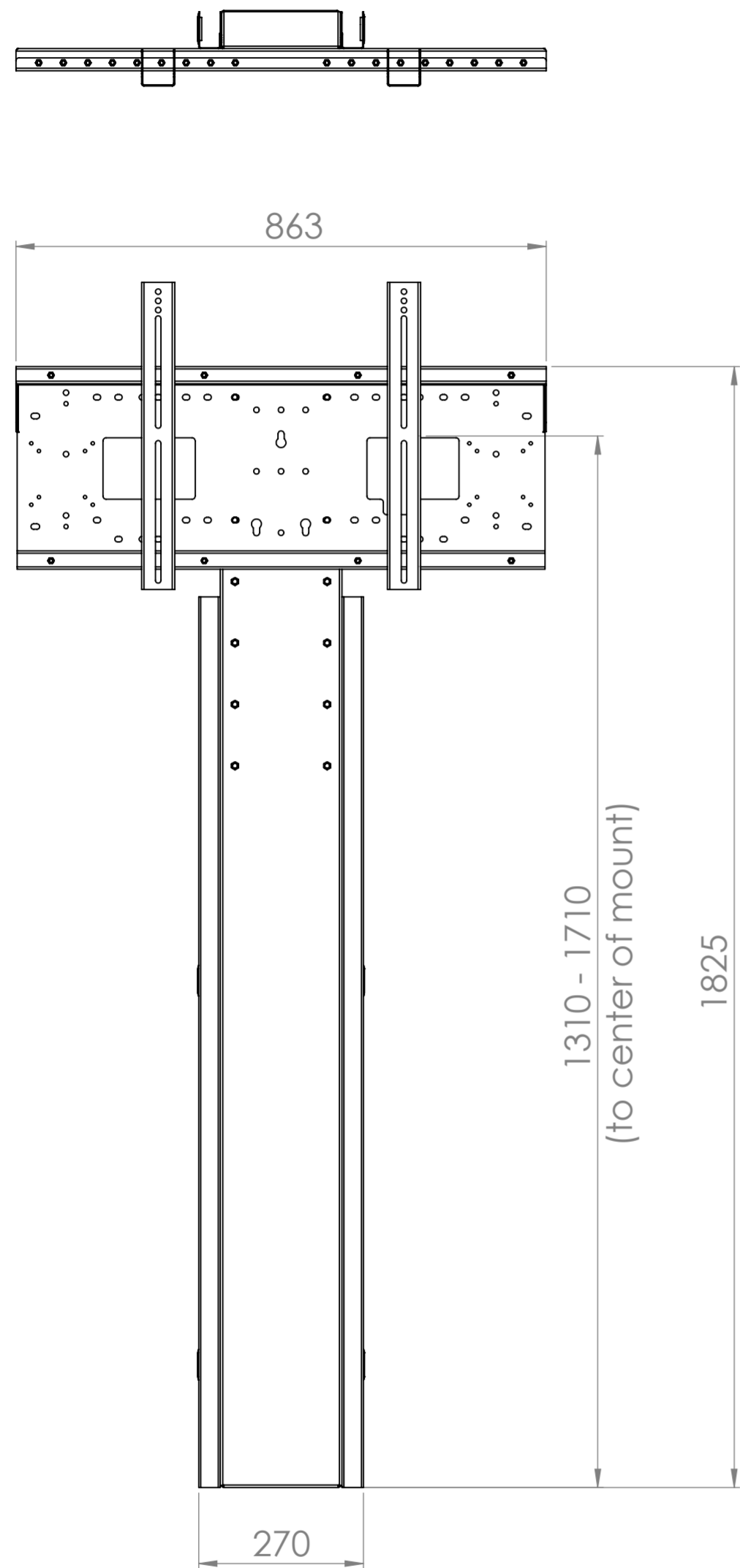
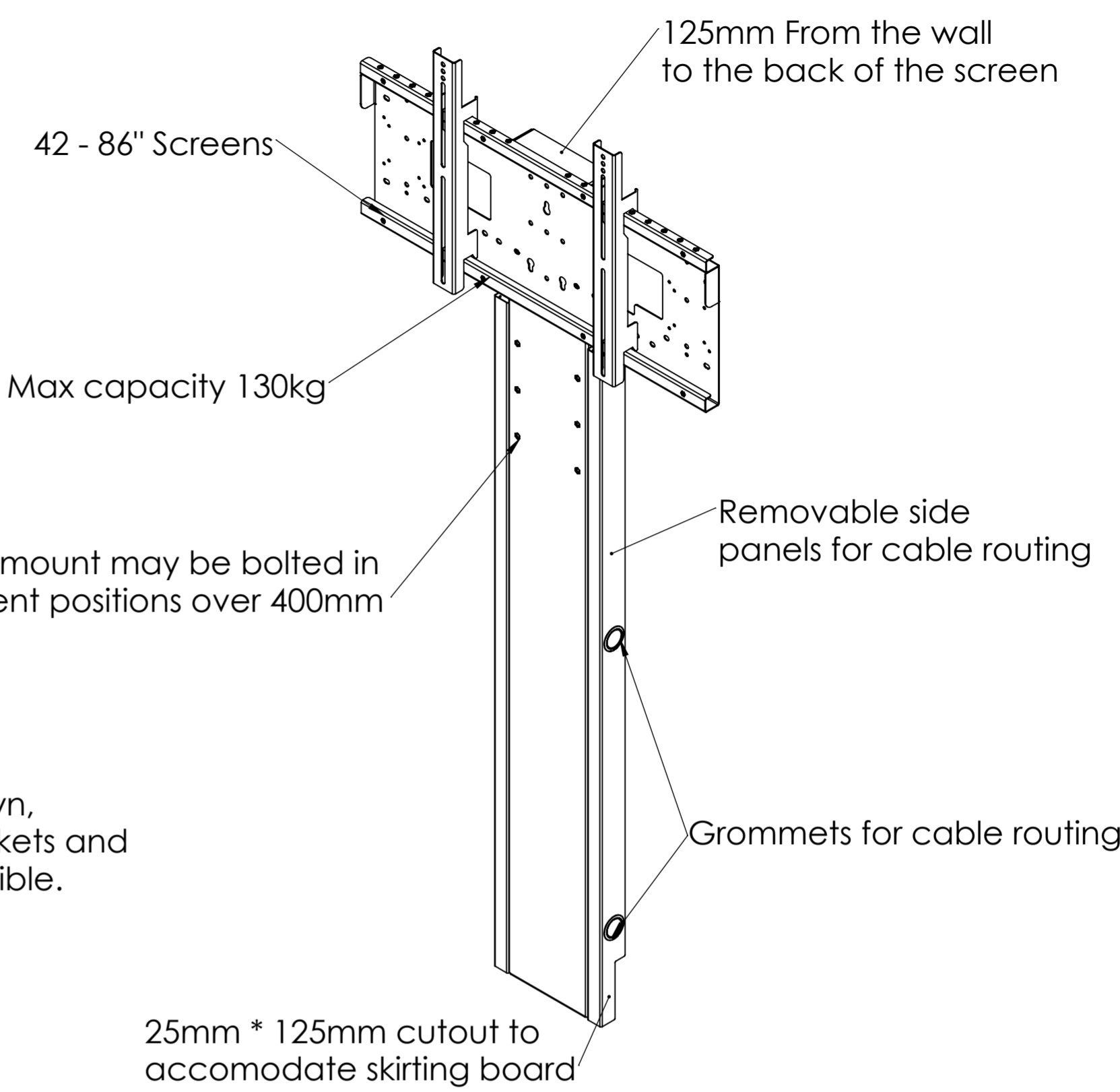


Mono Slimline Fixed Wall Mount
1310 - 1710mm - **8432**



Flat to wall brackets shown,
40/100mm Standoff brackets and
spreader plates also available.



LOXIT
PRODUCTS

Loxkit Limited
First avenue
Poynton Industrial Estate
Poynton
Cheshire
England
SK12 1YJ
t: +44 (0) 845 519 5191
w: www.loxkit.com

The copyright of this drawing is retained by Loxit limited
This drawing may not be reproduced without prior written permission of Loxit limited

*Dimensions given to a tolerance of +-5mm