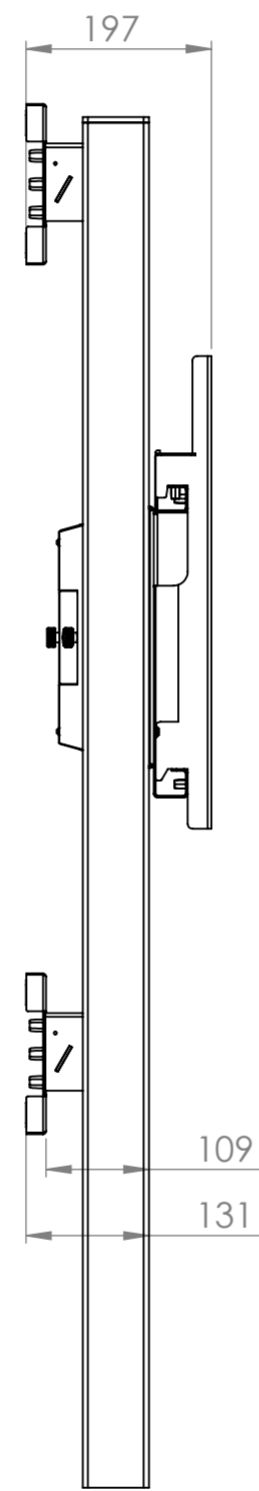
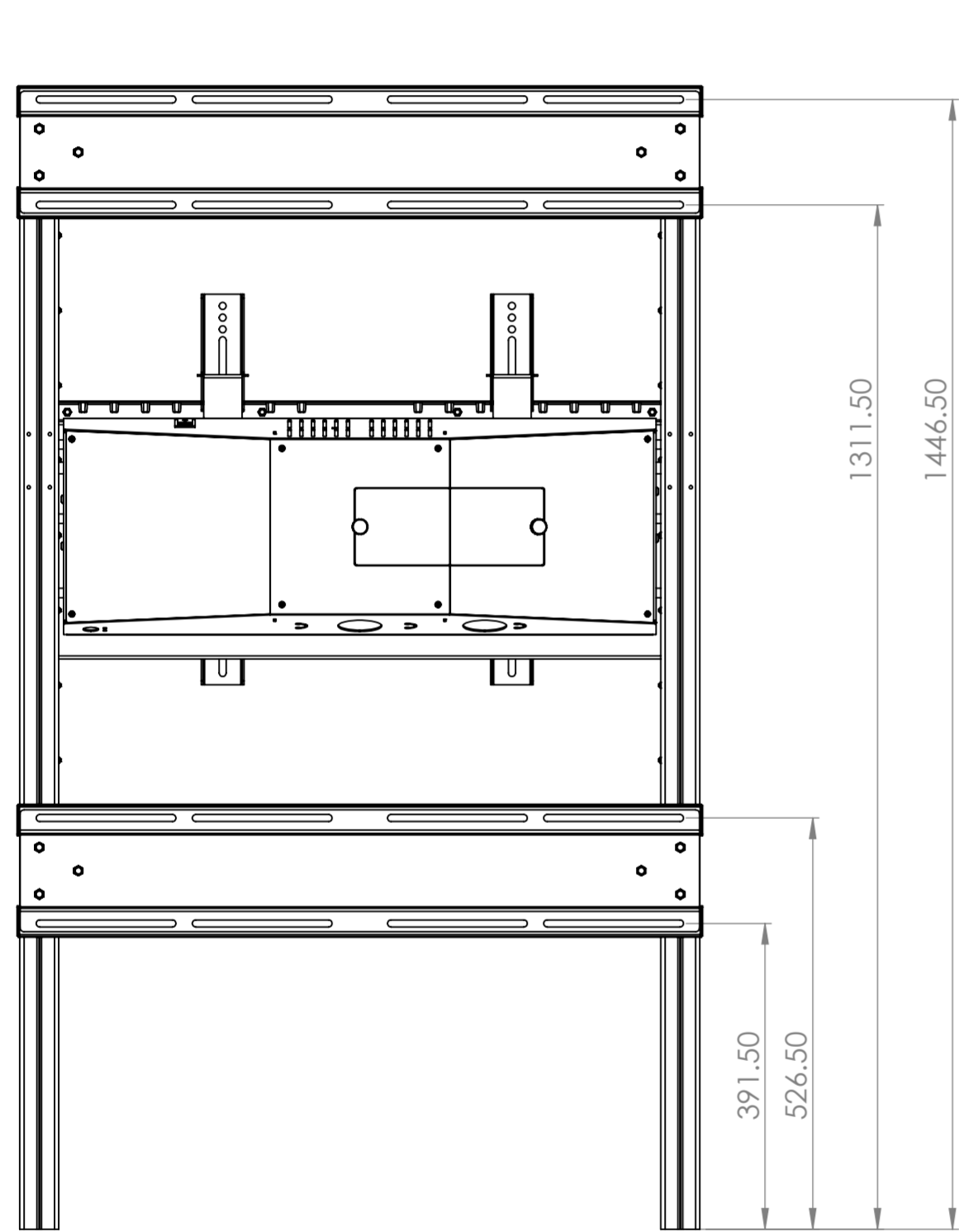
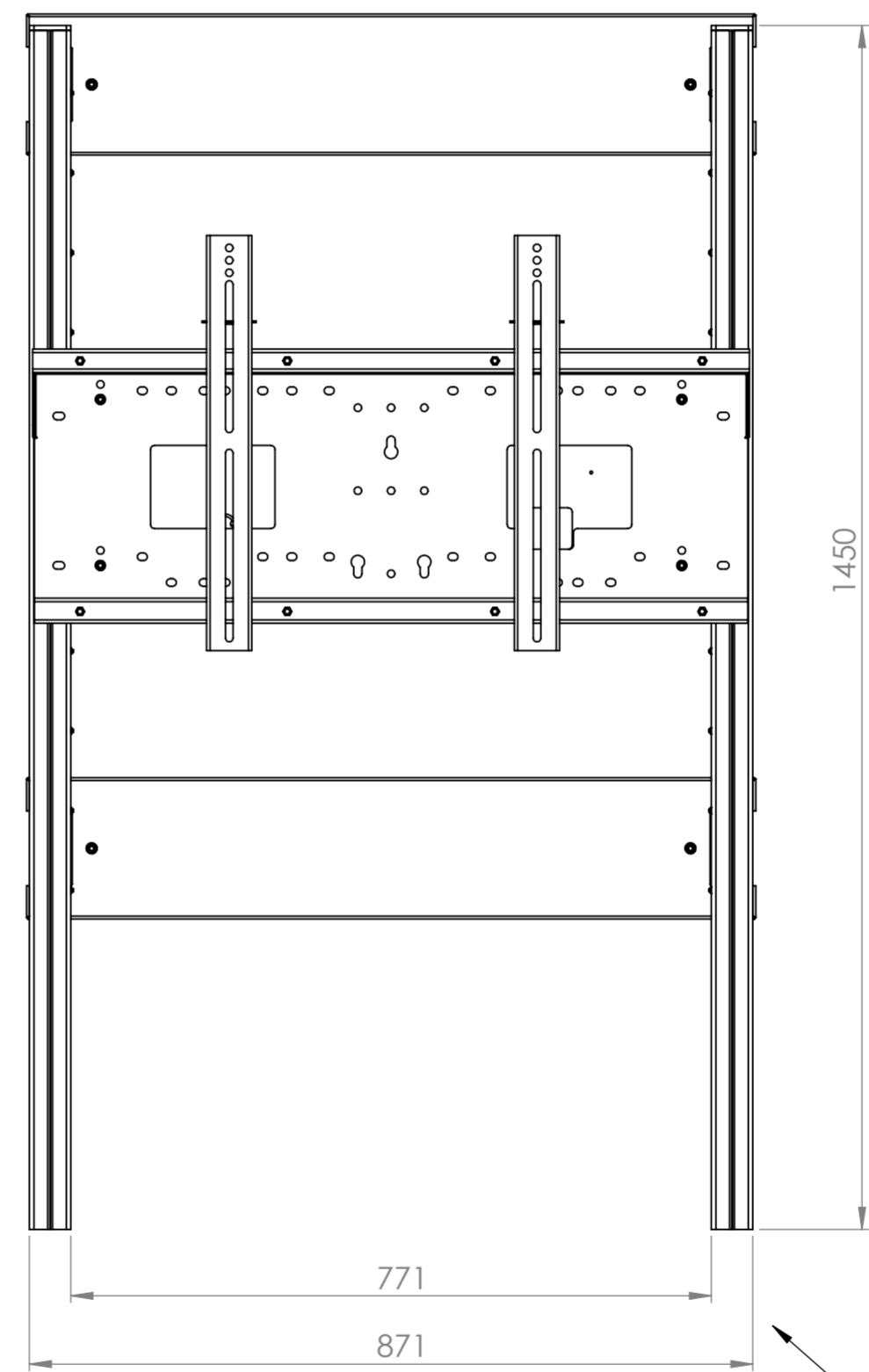


Hi-Lo 750 Electric Wall Mount - 8961



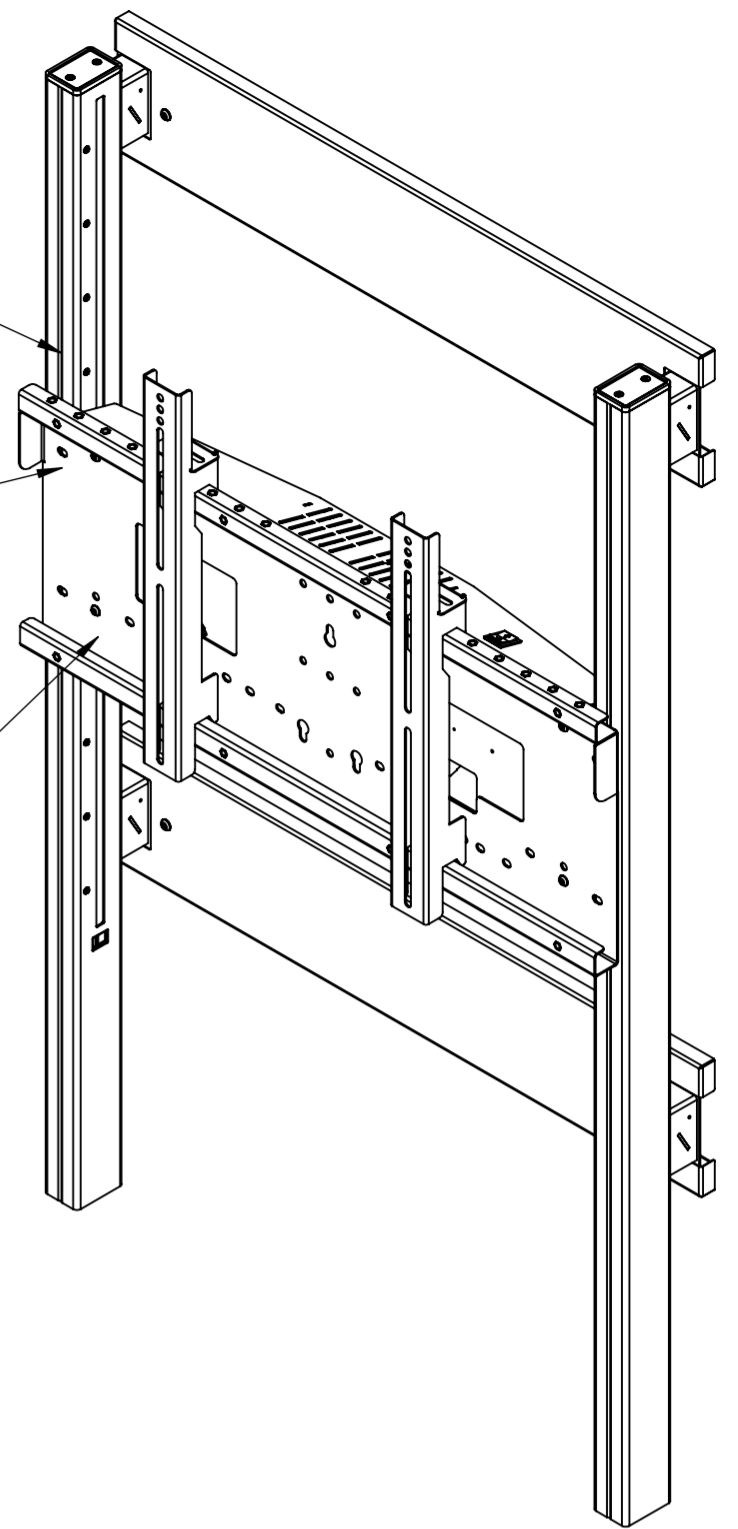
\*Lift shown with 40mm brackets, 100mm brackets also available



130Kg Max capacity

800\*440mm Max VESA

750mm electric height adjustment, 515-1265mm to centre of mount



Optional 350mm extension legs available to increase height.



**Loxit Limited**  
 First avenue  
 Poynton Industrial Estate  
 Poynton  
 Cheshire  
 England  
 SK12 1YJ  
 t: +44 (0) 845 519 5191  
 w: [www.loxit.com](http://www.loxit.com)

The copyright of this drawing is retained by Loxit limited  
 This drawing may not be reproduced without prior written permission of Loxit limited

\*Drawings intended as a guide only, always measure actual fixing points before installation. Dimensions given to a tolerance of +2mm