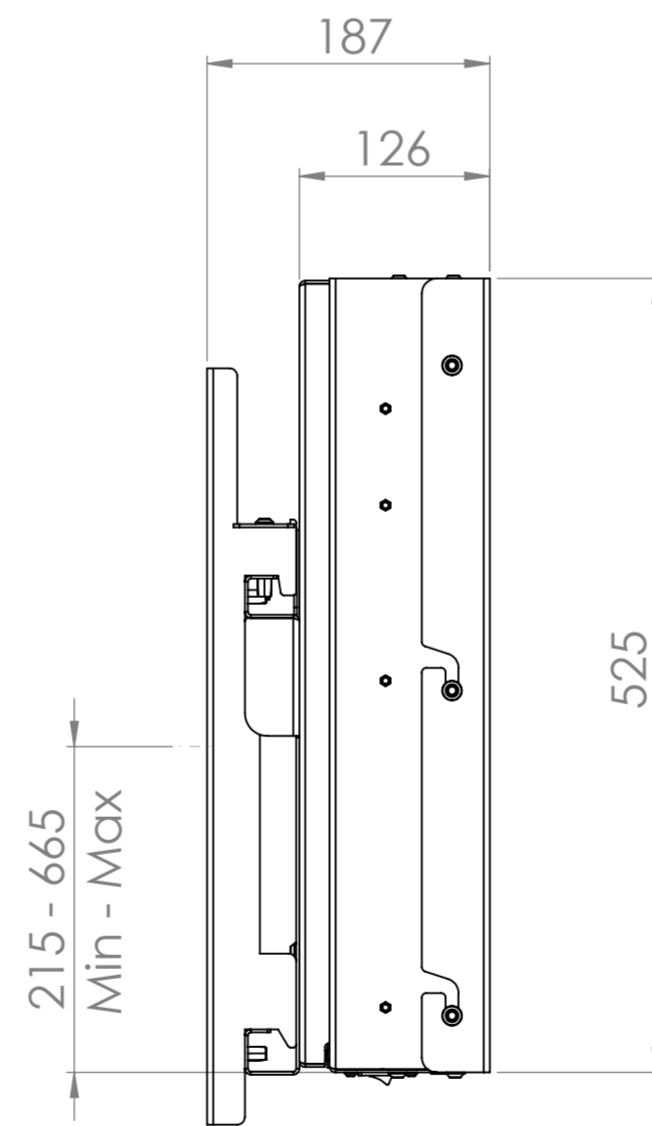
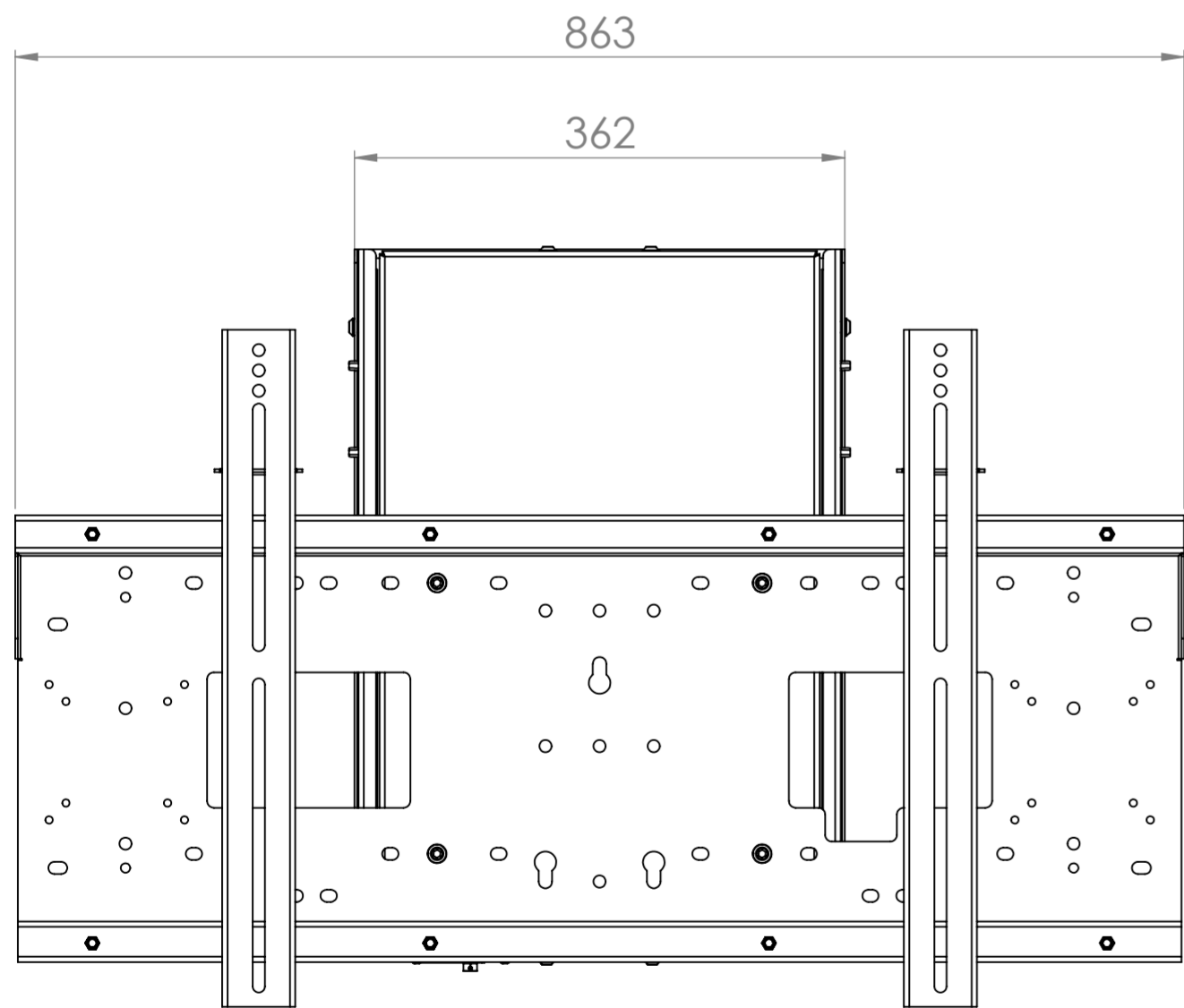
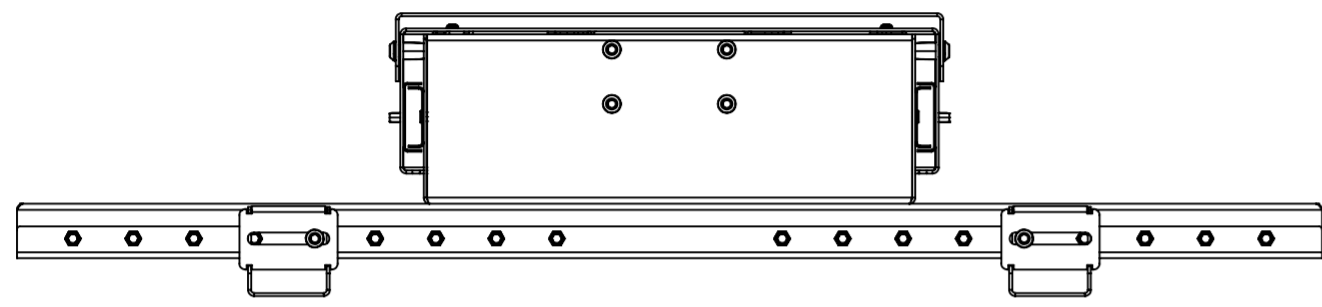


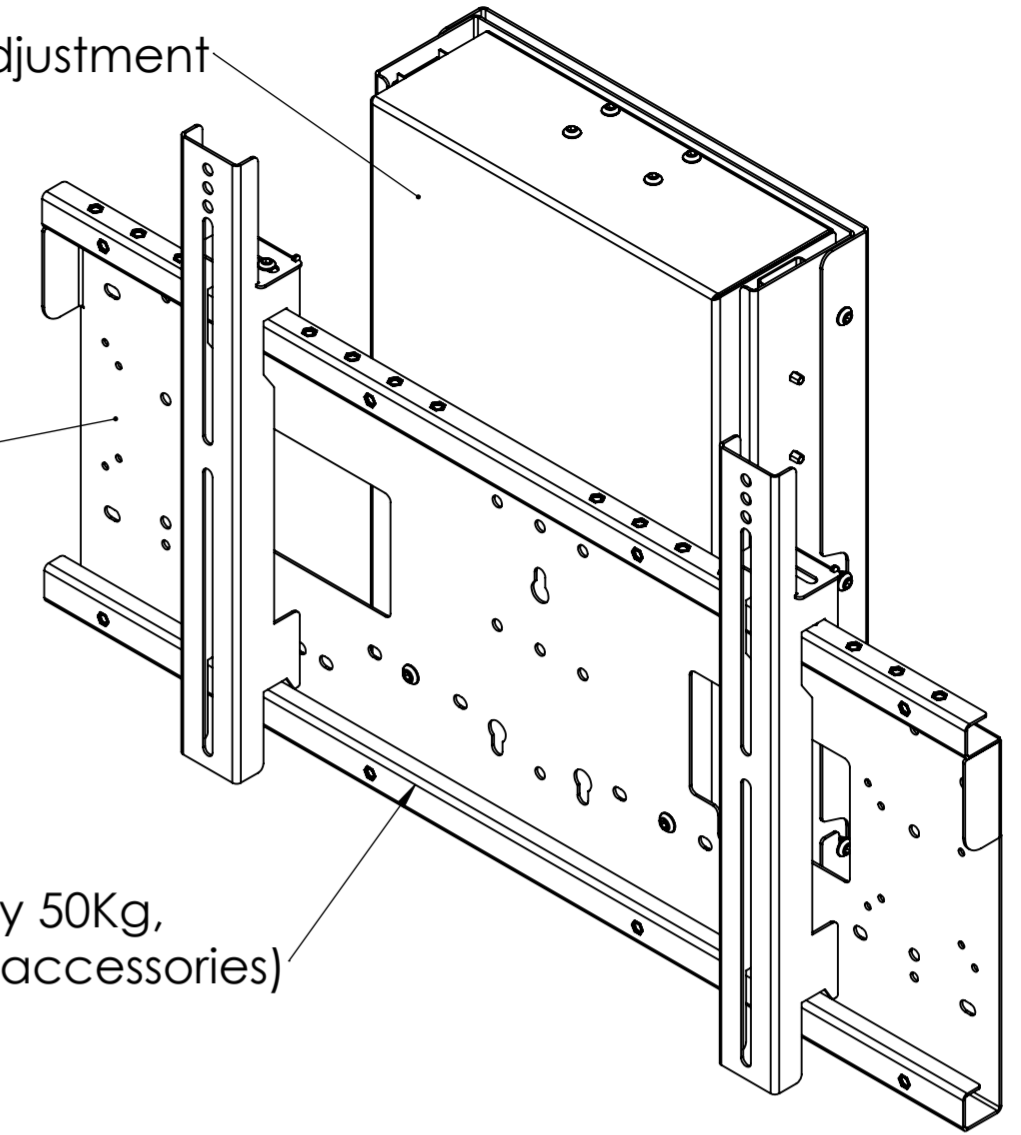
Hi-Lo 450 Electric Wall Mount - 8800



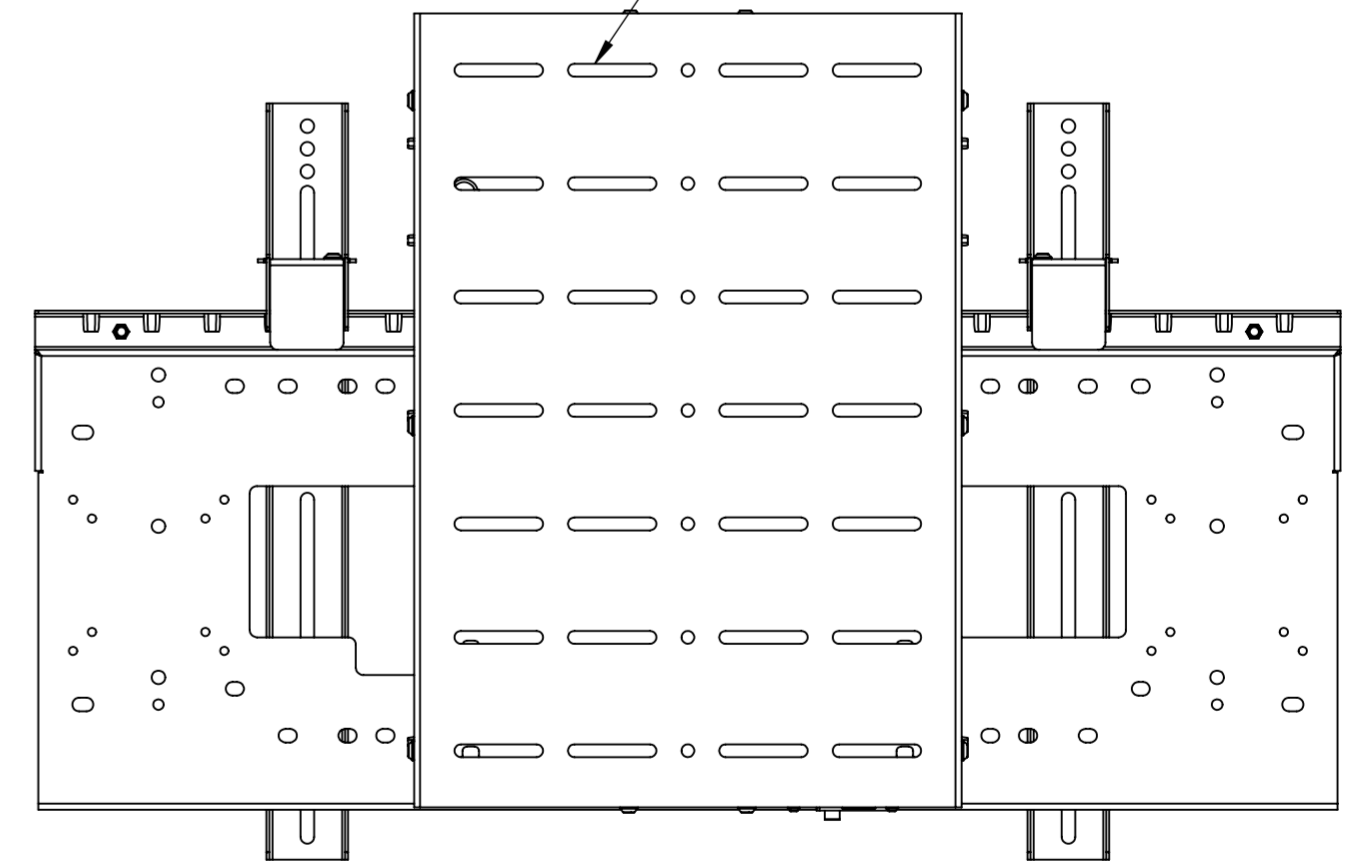
450mm electric height adjustment

187mm deep from wall to back of screen

Max capacity 50Kg, (Screen and accessories)



Large array of wall fixing positions



Loxit Limited
 First avenue
 Poynton Industrial Estate
 Poynton
 Cheshire
 England
 SK12 1YJ
 t: +44 (0) 845 519 5191
 w: www.loxit.com

The copyright of this drawing is retained by Loxit limited
 This drawing may not be reproduced without prior written permission of Loxit limited

*Dimensions given to a tolerance of +-3mm